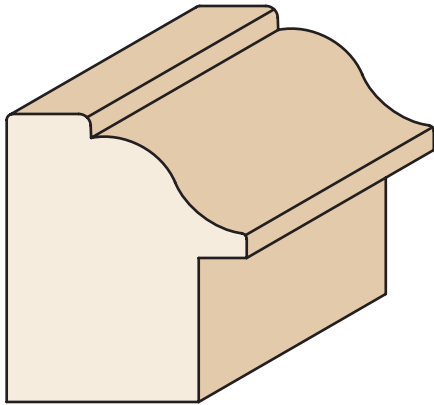
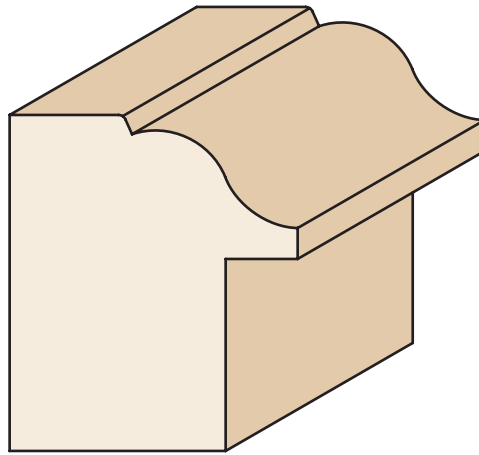


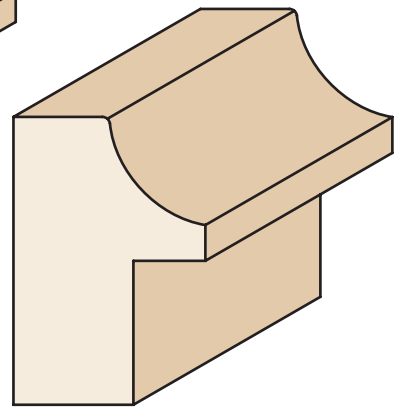
BACKBANDS



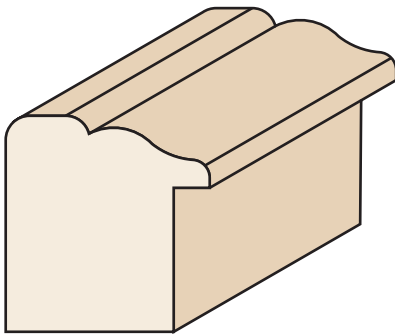
4048-ID-BB $1\frac{1}{4}'' \times 1\frac{1}{2}''$
 ($\frac{1}{4}'' \times \frac{3}{4}''$ rabbet)



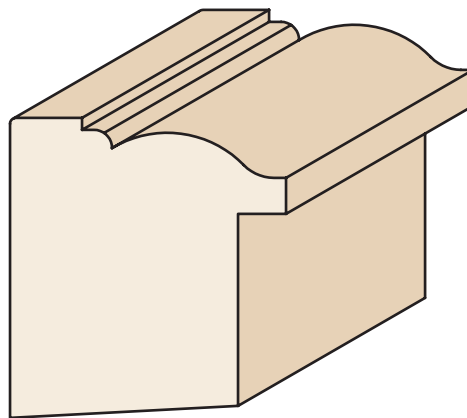
4856-ITC-BB $1\frac{1}{2}'' \times 1\frac{3}{4}''$
 ($\frac{3}{8}'' \times 1''$ rabbet)



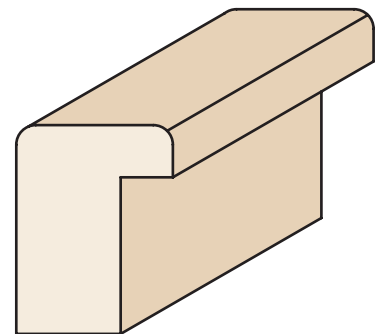
3248-IT-BB $1'' \times 1\frac{1}{2}''$
 ($\frac{3}{8}'' \times \frac{3}{4}''$ rabbet)



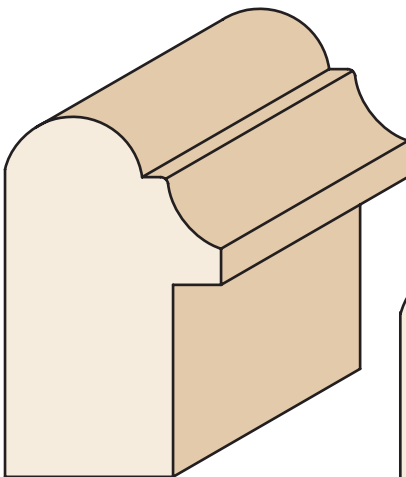
3436-BB $1\frac{1}{16}'' \times 1\frac{1}{8}''$
 ($\frac{3}{16}'' \times \frac{3}{4}''$ rabbet)



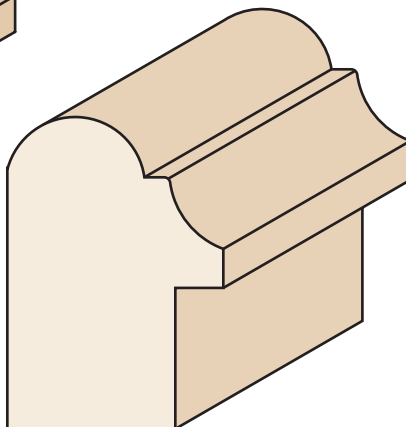
4650-A-BB $1\frac{7}{16}'' \times 1\frac{9}{16}''$
 ($\frac{1}{4}'' \times 1\frac{1}{16}''$ rabbet)
 Adjustable to fit $1''$ or $1\frac{1}{16}''$ casing



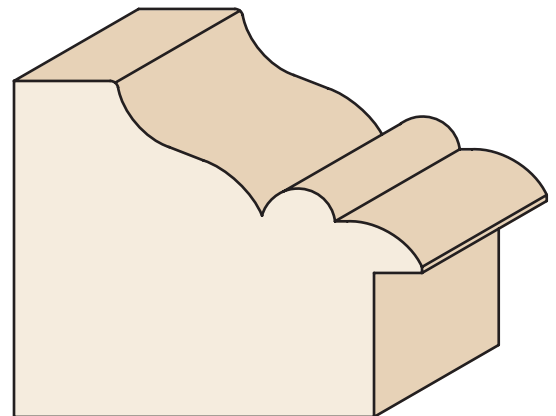
2432-EG-BB $\frac{3}{4}'' \times 1''$
 ($\frac{1}{4}'' \times \frac{3}{4}''$ rabbet)



3660-BB $1\frac{1}{8}'' \times 1\frac{7}{8}''$
 ($\frac{1}{4}'' \times 1''$ rabbet)



3652-BB $1\frac{1}{8}'' \times 1\frac{5}{8}''$
 ($\frac{1}{4}'' \times \frac{3}{4}''$ rabbet)



5668-BB $1\frac{3}{4}'' \times 2\frac{1}{8}''$
 ($\frac{1}{4}'' \times \frac{3}{4}''$ rabbet)