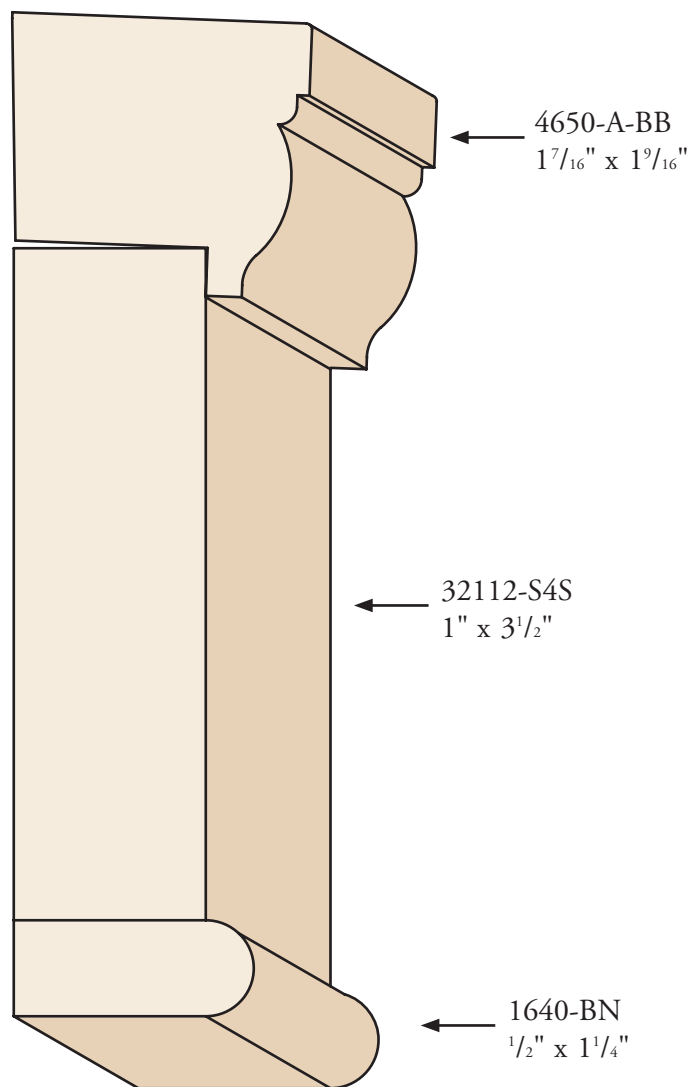
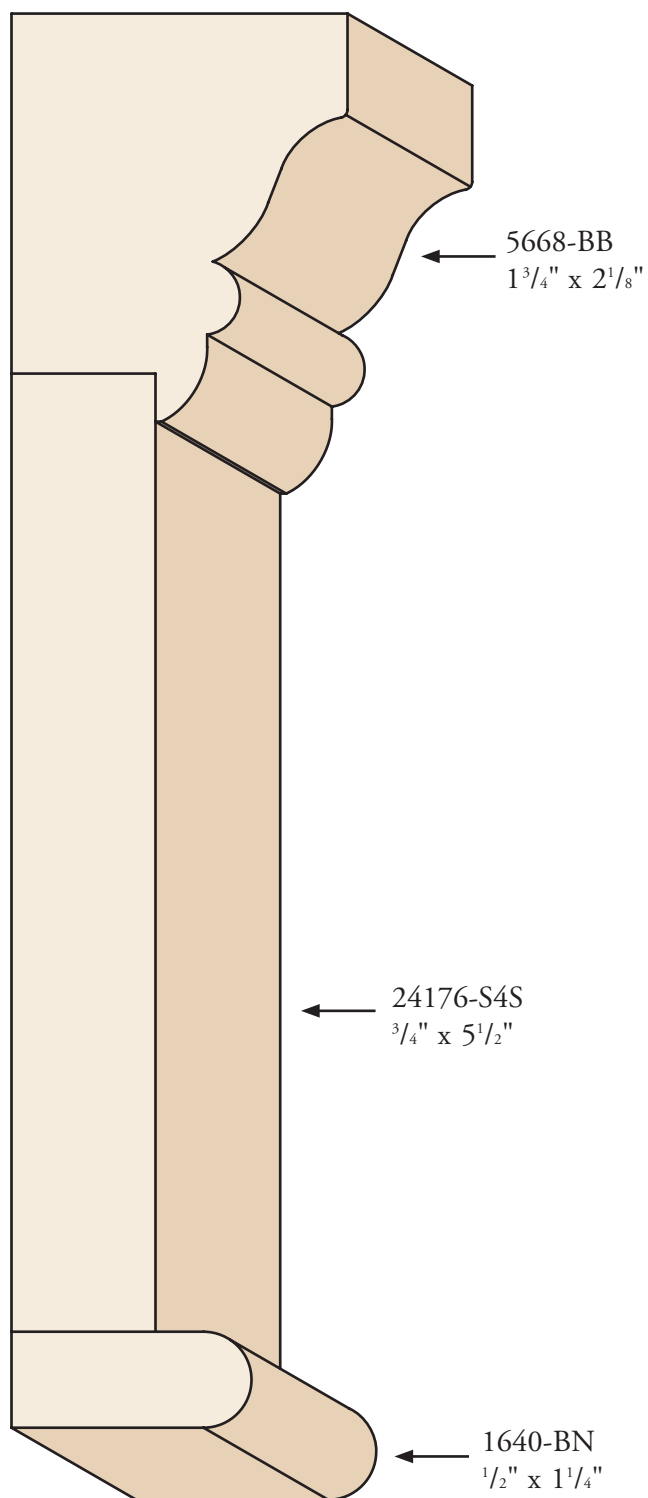


PEDIMENT HEAD DESIGN IDEAS

Adding a pediment head is a simple way to dramatically transform any architectural door or window opening.



Choose from a variety of S4S widths to create a pediment appropriate for your individual ceiling height.