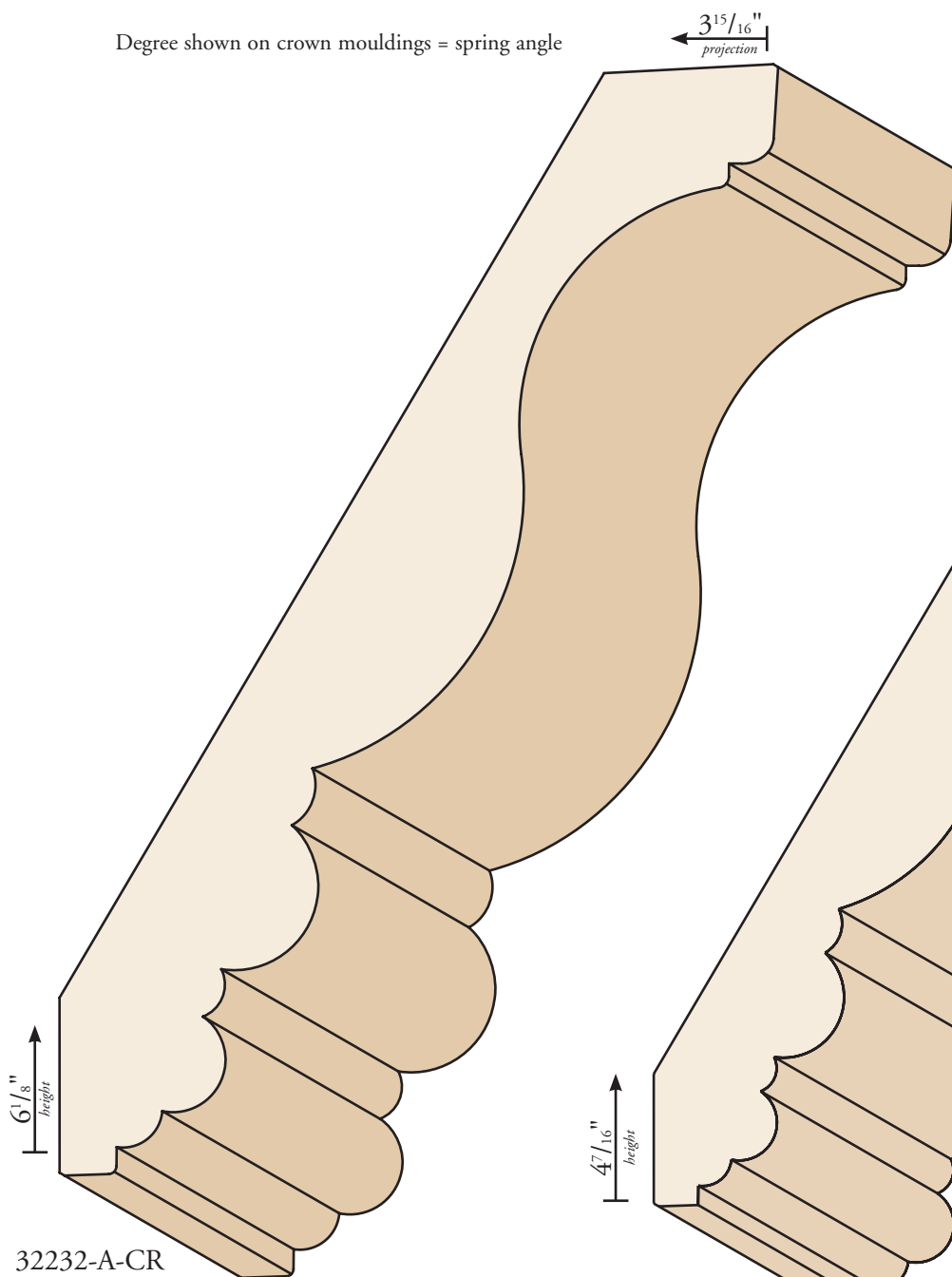
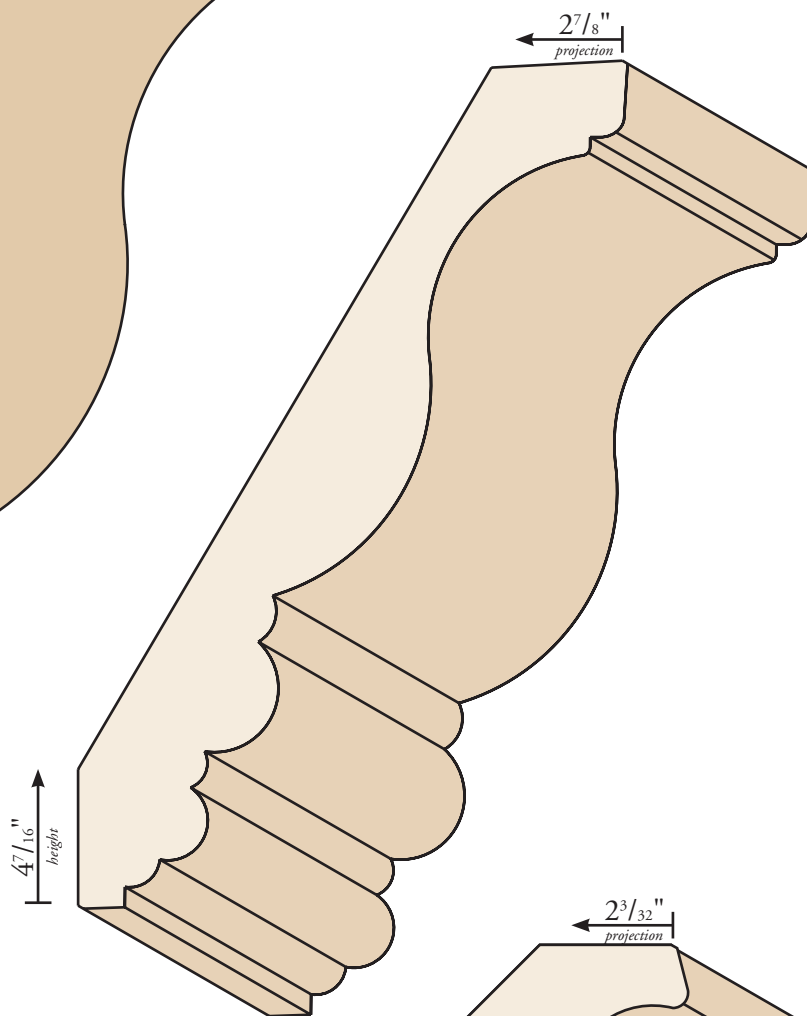


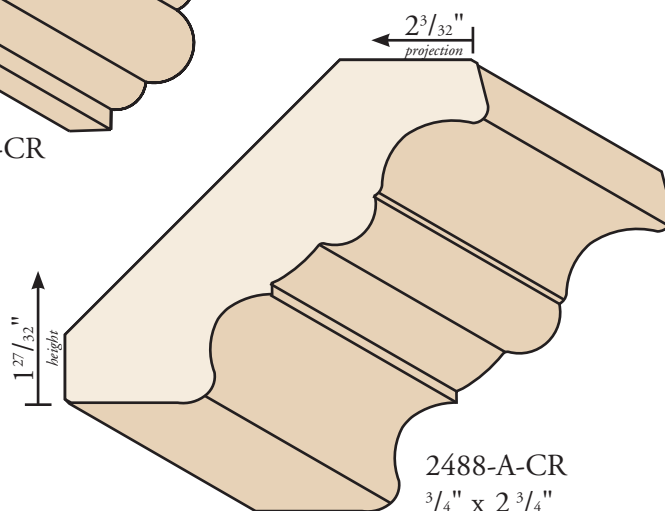
Degree shown on crown mouldings = spring angle



32232-A-CR  
1" x 7 1/4"  
(30.5°)



24168-QA-CR  
3/4" x 5 1/4"  
(31.5°)



2488-A-CR  
3/4" x 2 3/4"  
(43.5°)