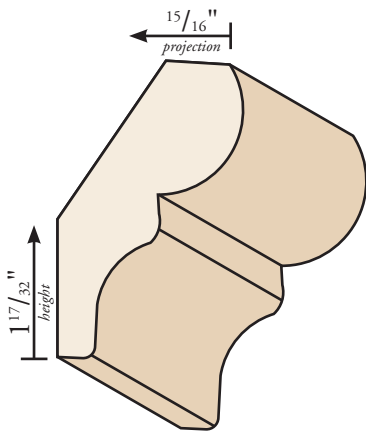
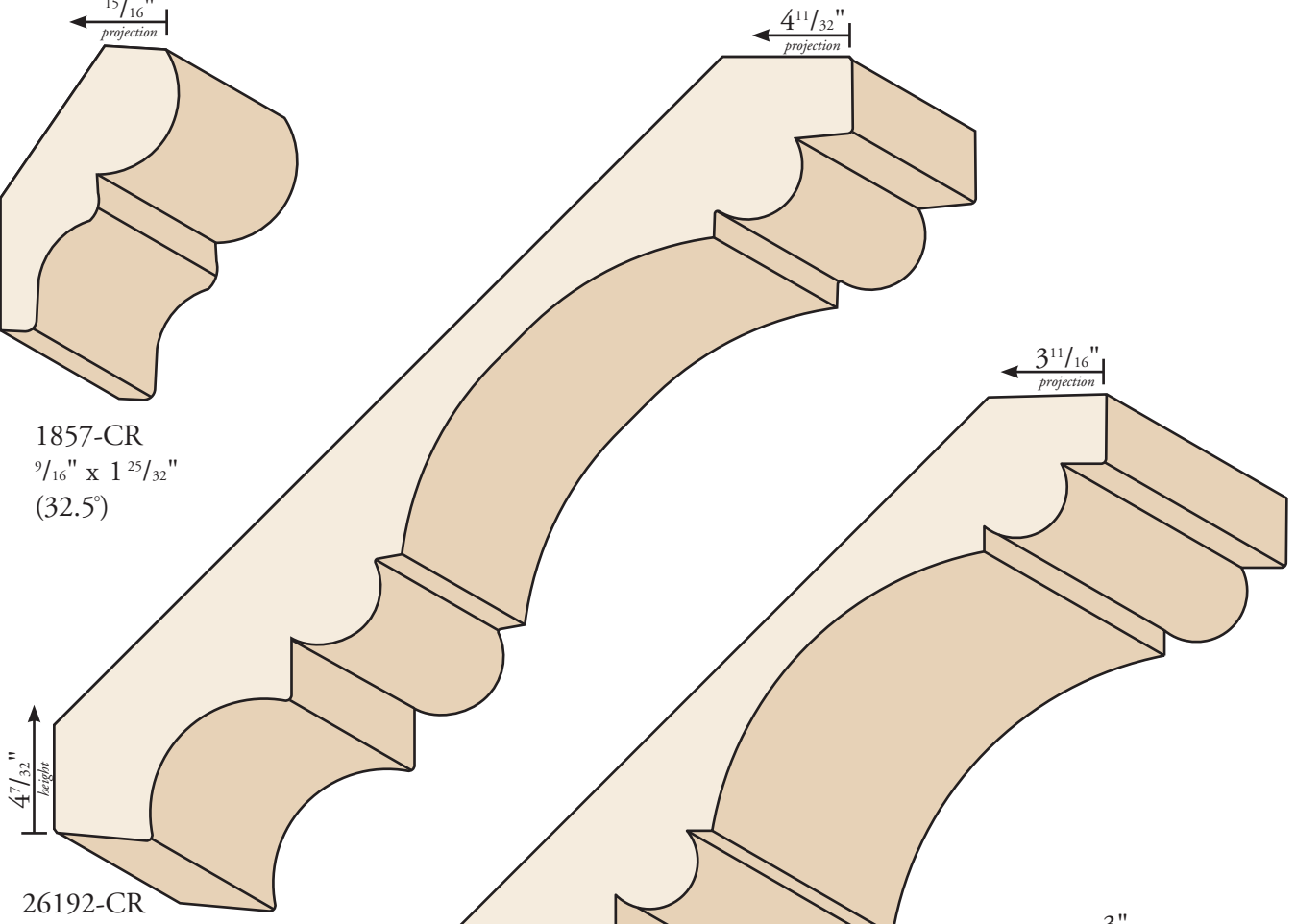


CROWNS

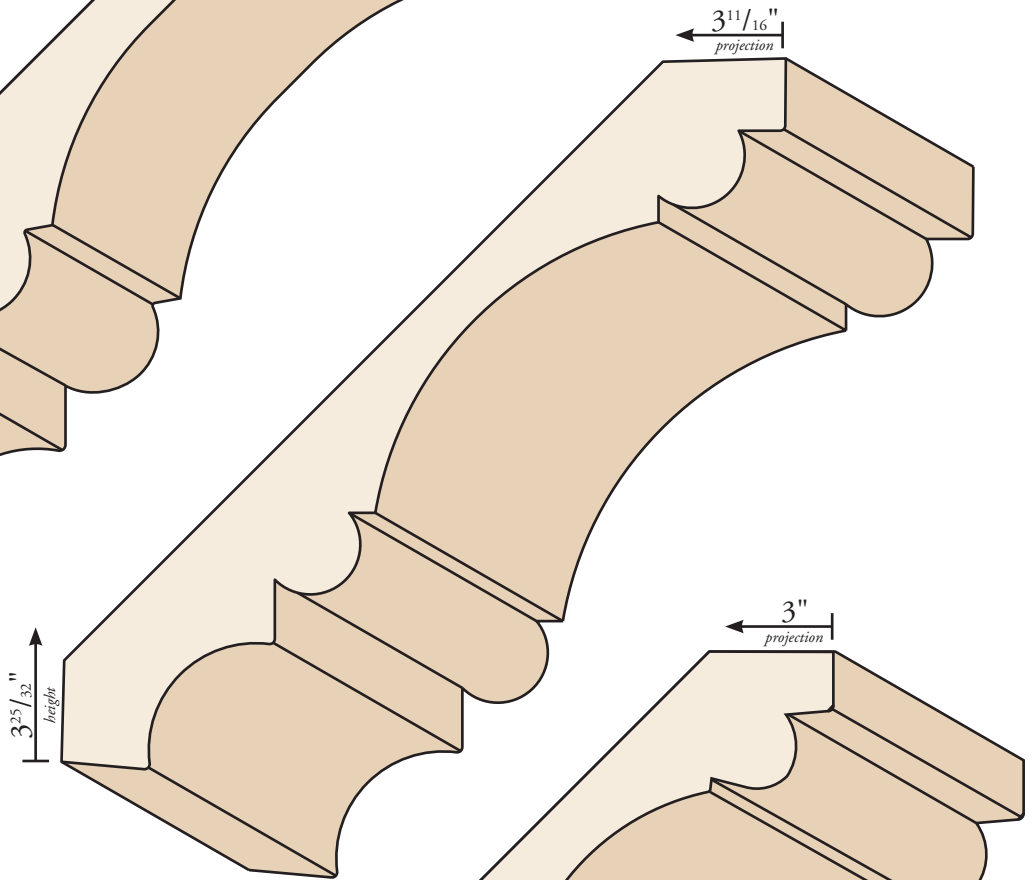
Degree shown on crown mouldings = spring angle



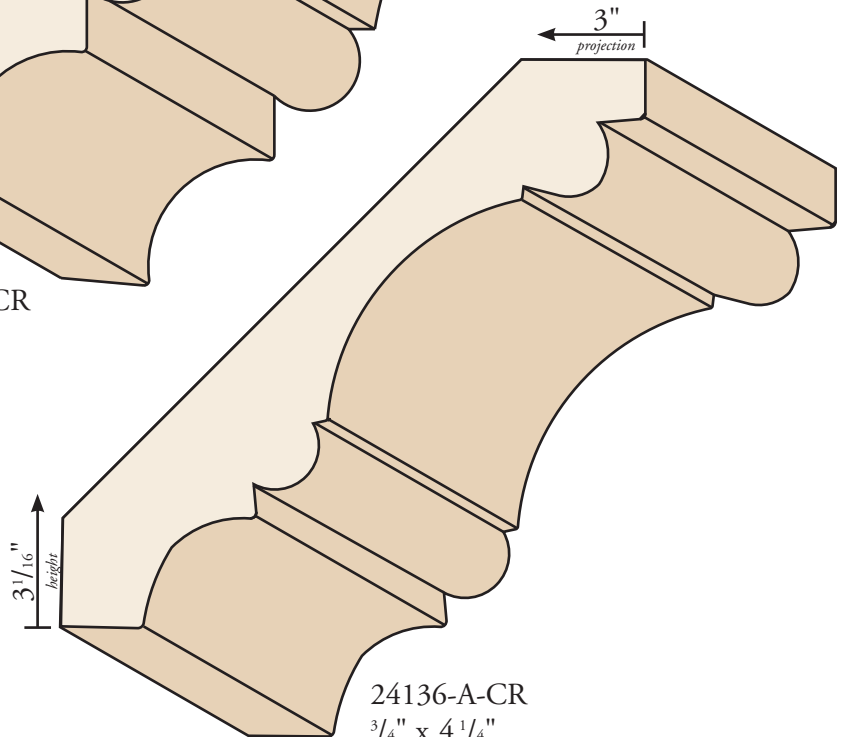
1857-CR
 $\frac{9}{16}$ " x $1 \frac{25}{32}$ "
 (32.5°)



26192-CR
 $\frac{13}{16}$ " x 6"
 (43.5°)



24168-A-CR
 $\frac{3}{4}$ " x $5 \frac{1}{4}$ "
 (43.5°)



24136-A-CR
 $\frac{3}{4}$ " x $4 \frac{1}{4}$ "
 (43.5°)