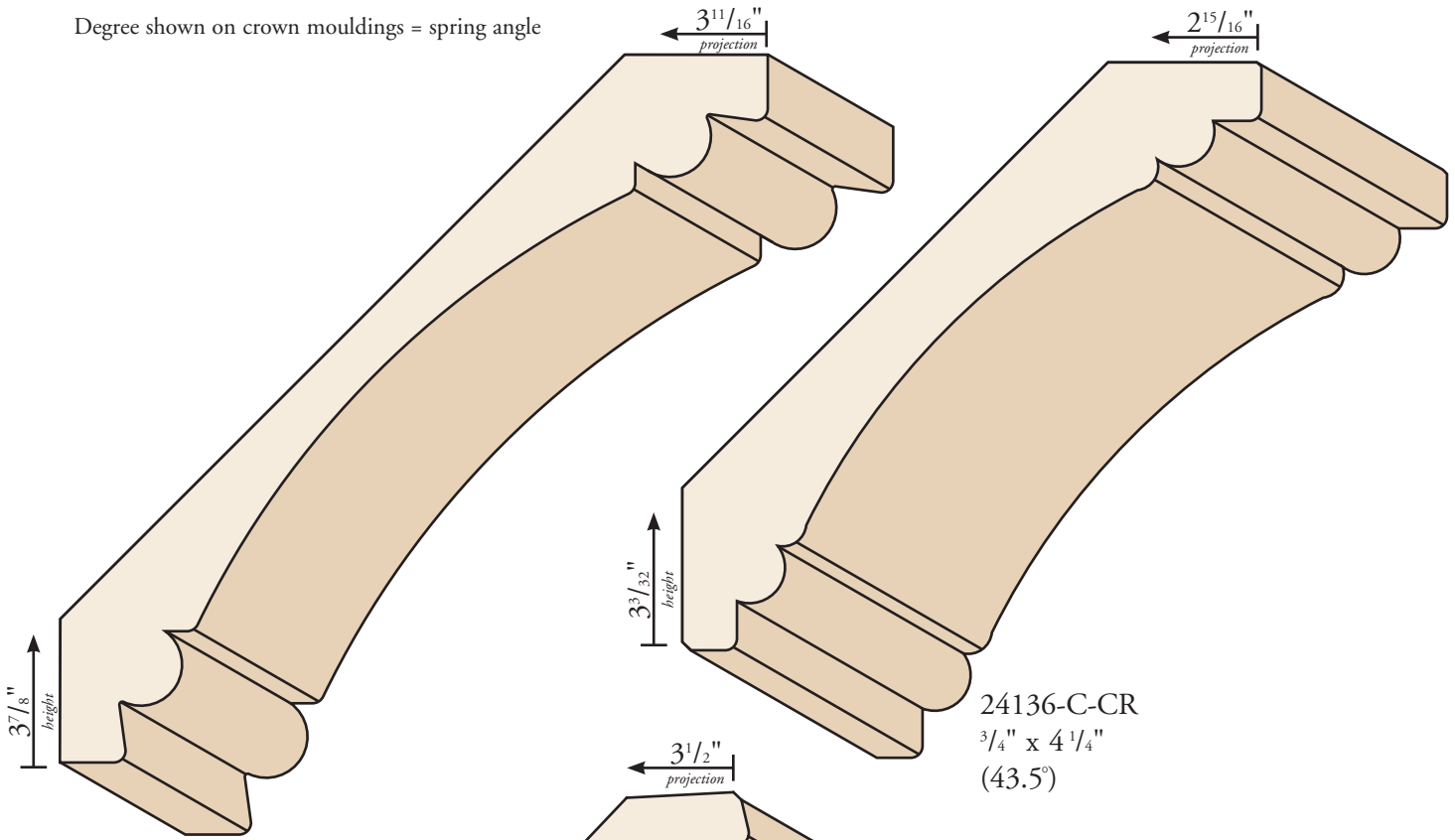


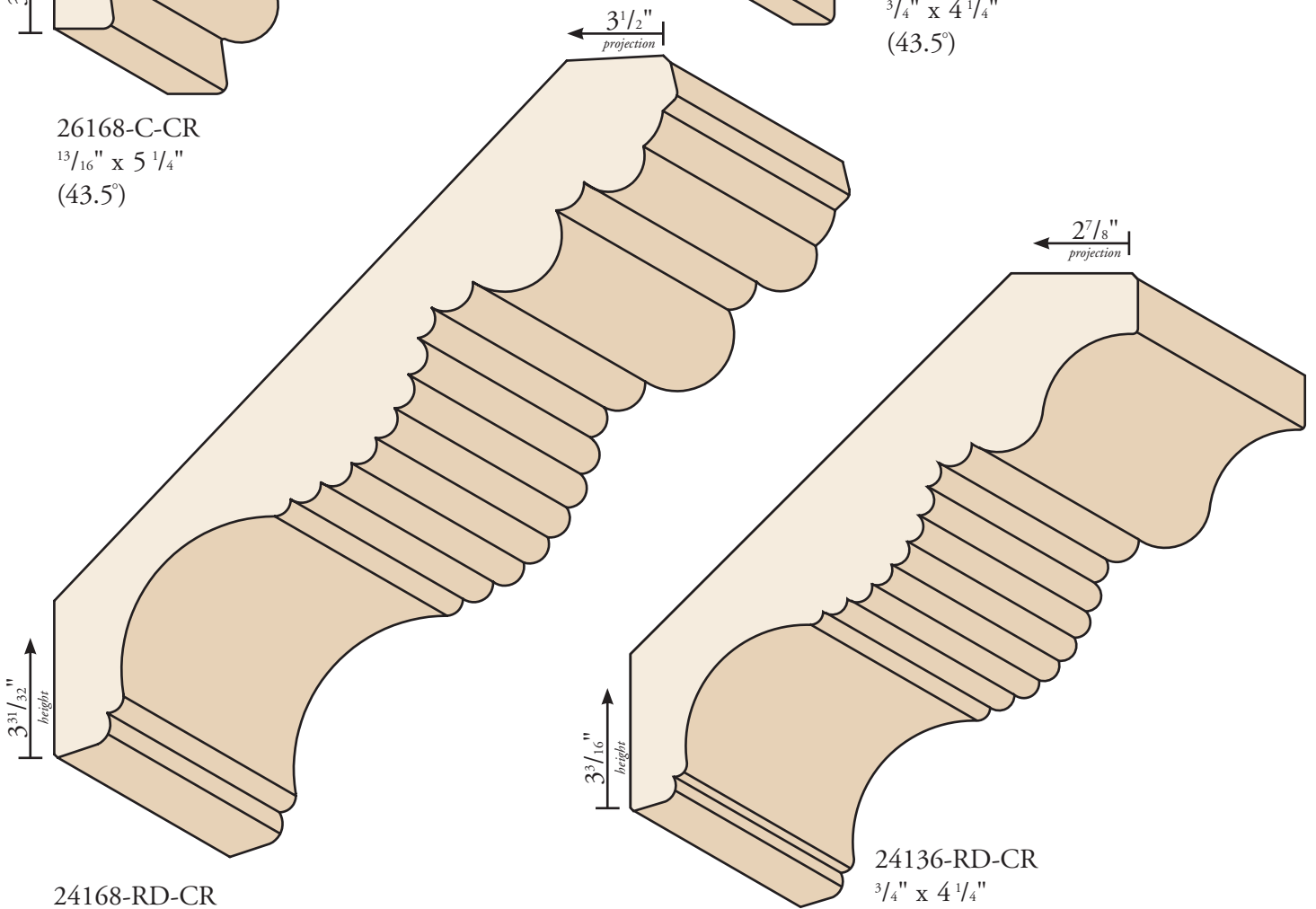
CROWNS

Degree shown on crown mouldings = spring angle



26168-C-CR
 $1\frac{3}{16}$ " x $5\frac{1}{4}$ "
 (43.5°)

24136-C-CR
 $\frac{3}{4}$ " x $4\frac{1}{4}$ "
 (43.5°)



24168-RD-CR
 $\frac{3}{4}$ " x $5\frac{1}{4}$ "
 (43.5°)

24136-RD-CR
 $\frac{3}{4}$ " x $4\frac{1}{4}$ "
 (43.5°)