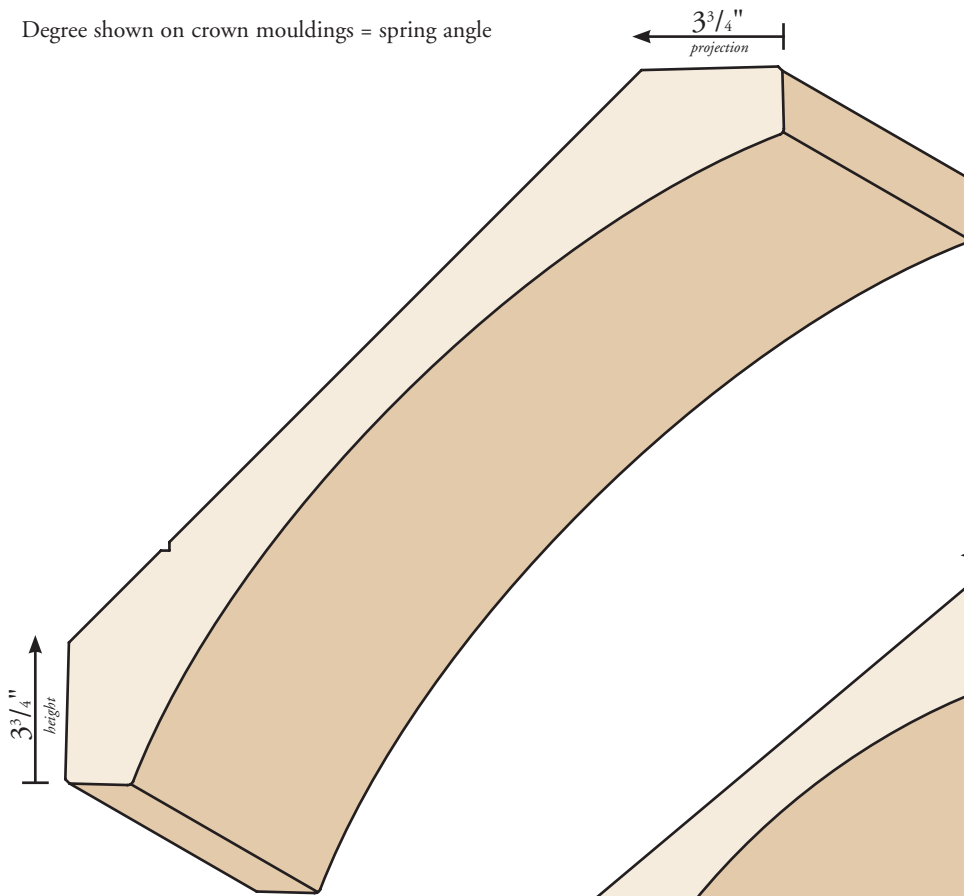
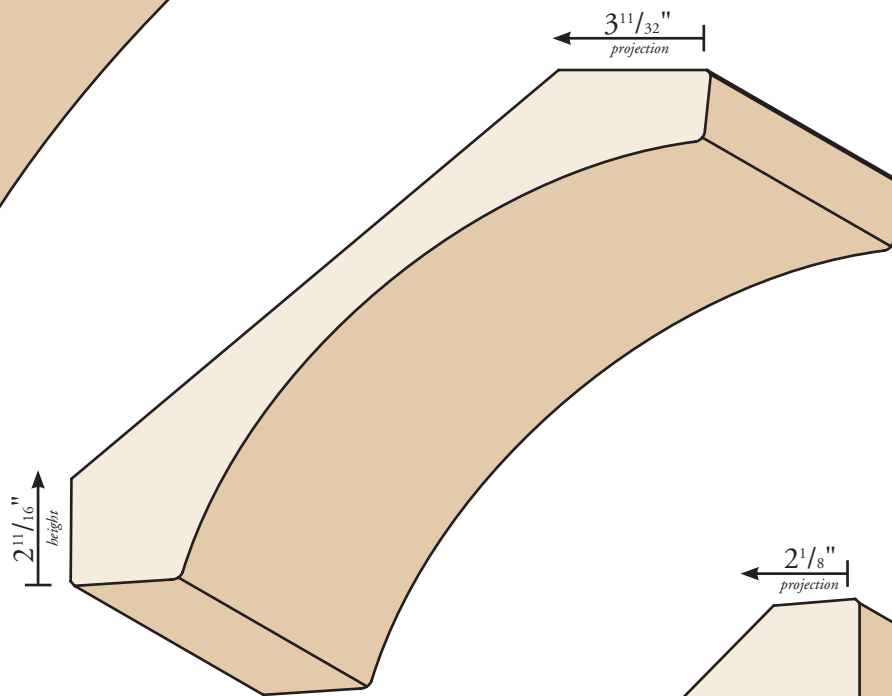


CROWNS

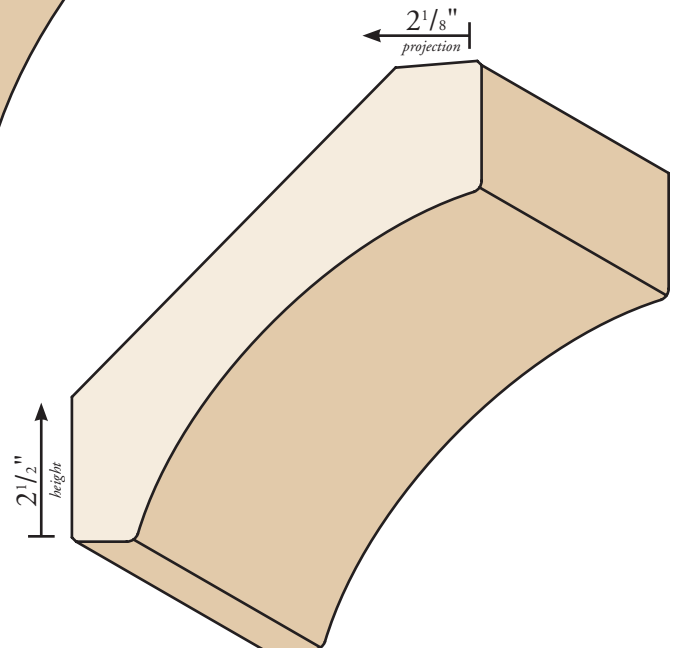
Degree shown on crown mouldings = spring angle



24168-WHI-CR1
 $\frac{3}{4}$ " x $5\frac{1}{4}$ "
 (43.5°)



24136-CV-CR
 $\frac{3}{4}$ " x $4\frac{1}{4}$ "
 (50°)



24104-ITC-CR
 $\frac{3}{4}$ " x $3\frac{1}{4}$ "
 (44.5°)