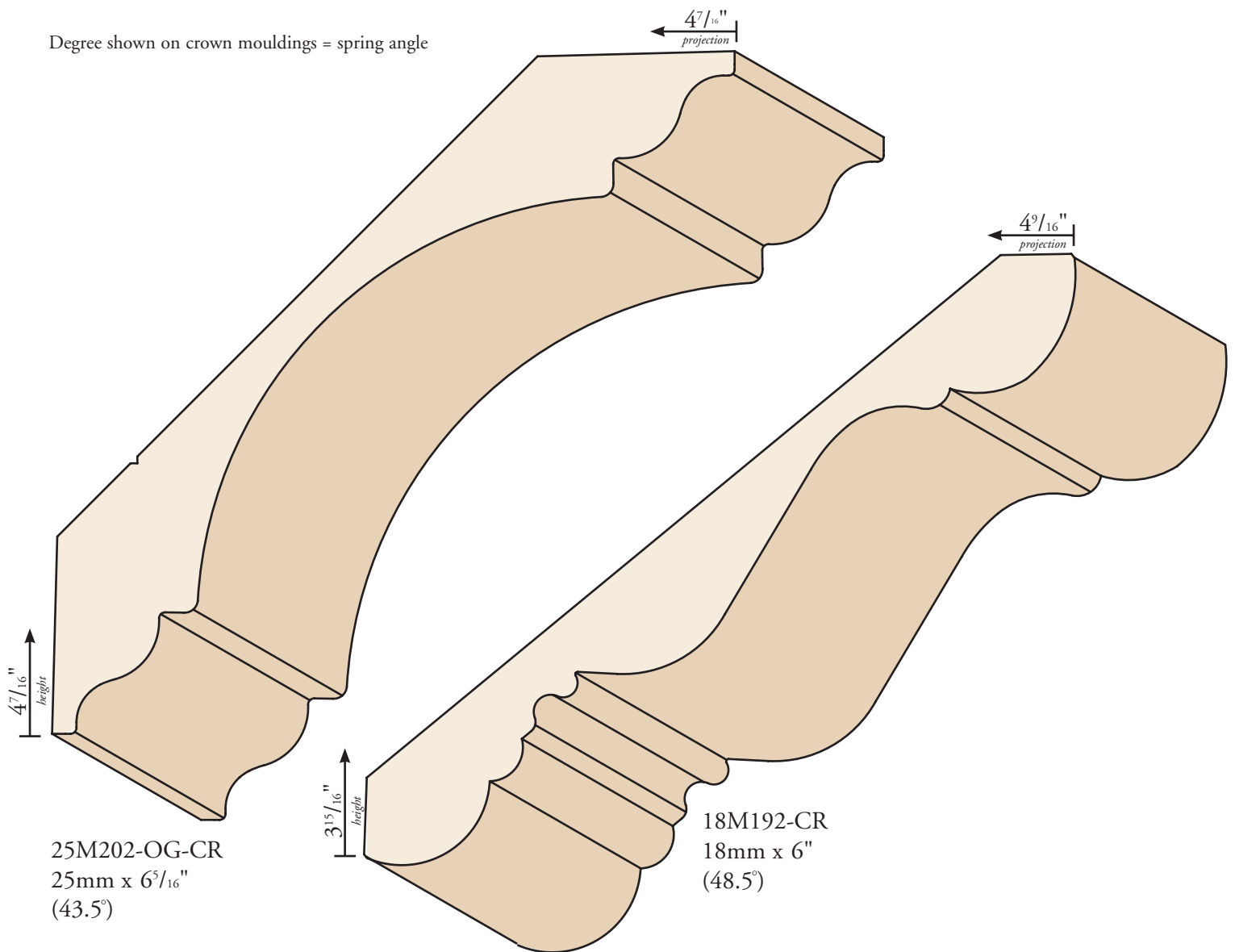


# PRIMED FIBERBOARD CROWNS

Degree shown on crown mouldings = spring angle



24224-QRK-TAG  $\frac{3}{4}$ " x 7"  
(shown at 90% of size)



24160-QRK-TAG  $\frac{3}{4}$ " x 5"