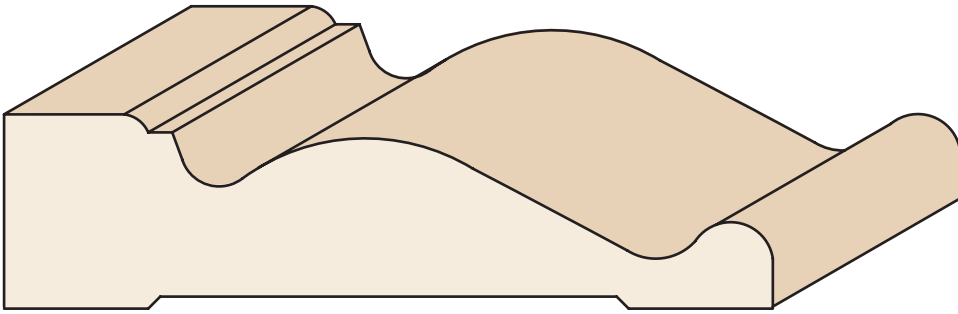
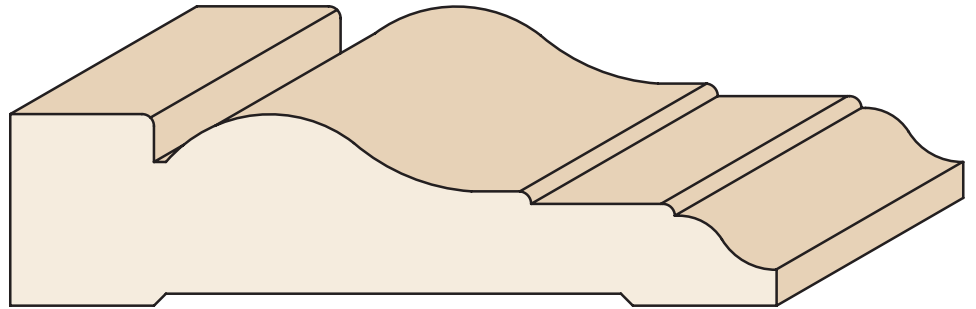


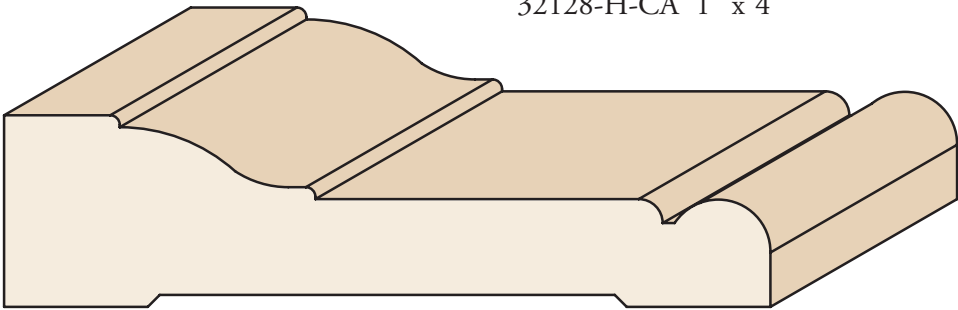
CASINGS



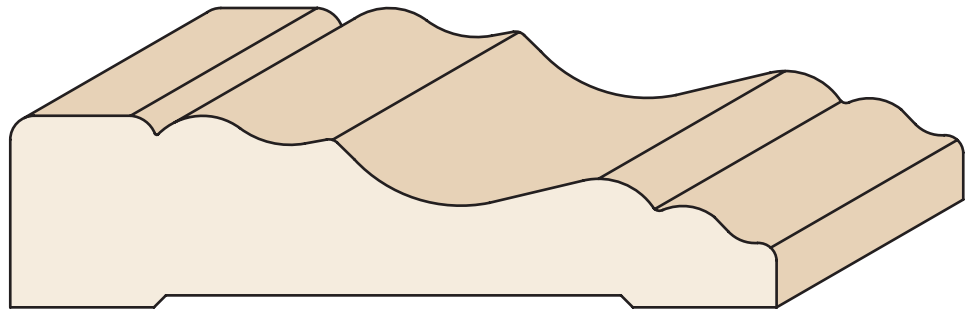
32128-G-CA 1" x 4"



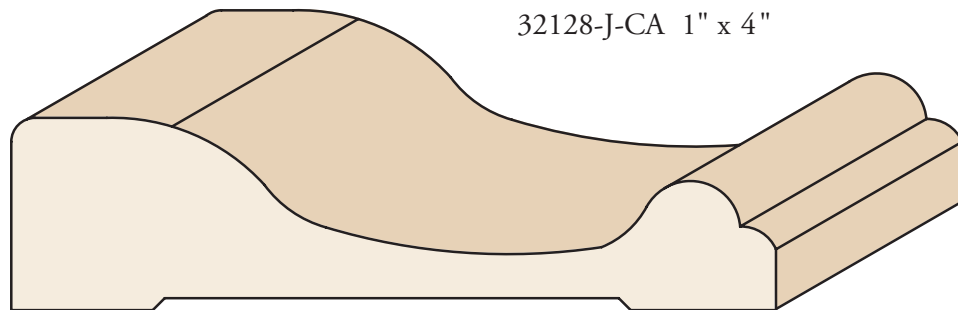
32128-H-CA 1" x 4"



32128-I-CA 1" x 4"



32128-J-CA 1" x 4"



32128-K-CA 1" x 4"