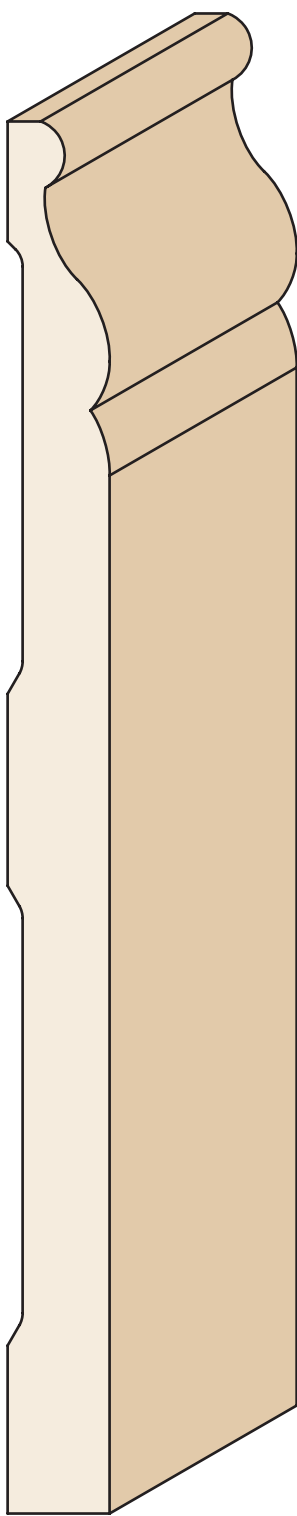
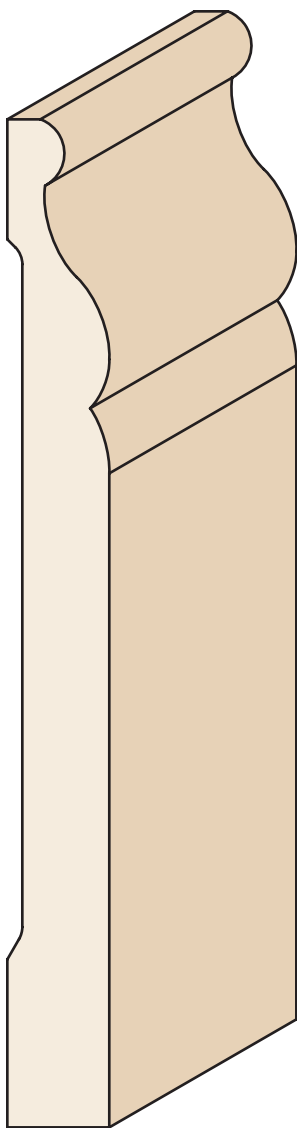


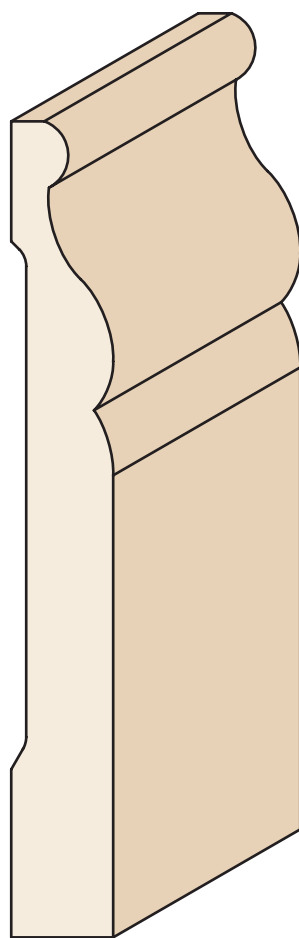
GESSO-COATED PINE
BASES



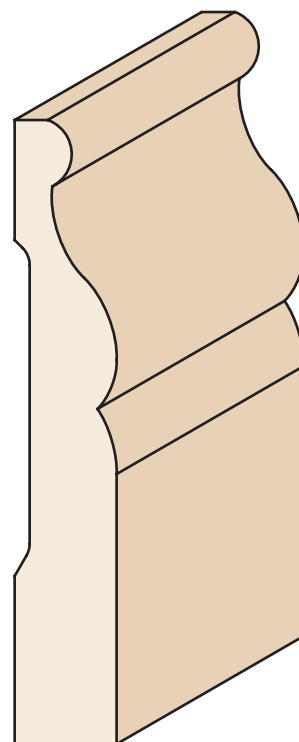
PFP 18232-CB
3/16" x 7 1/4" x 16'



PFP 18168-CB
3/16" x 5 1/4" x 16'

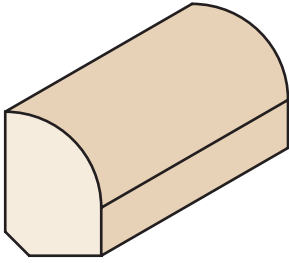


PFP 18136-CB
3/16" x 4 1/4" x 16'

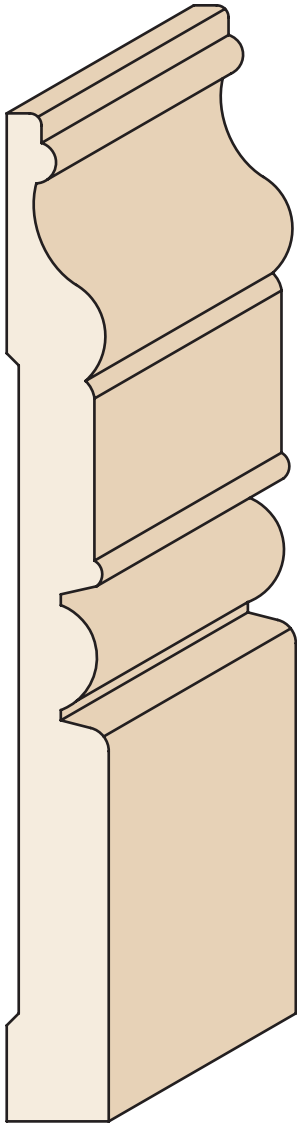


PFP 18104-CB
3/16" x 3 1/4" x 16'

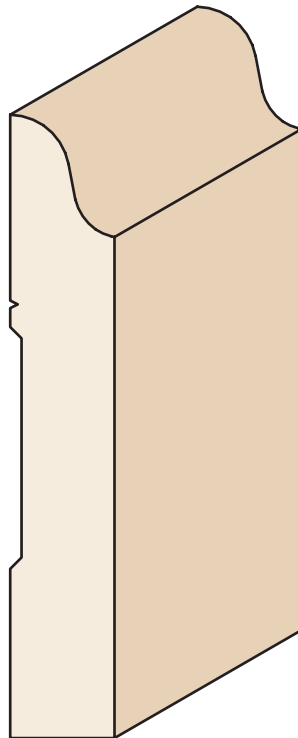
GESO-COATED PINE
BASES



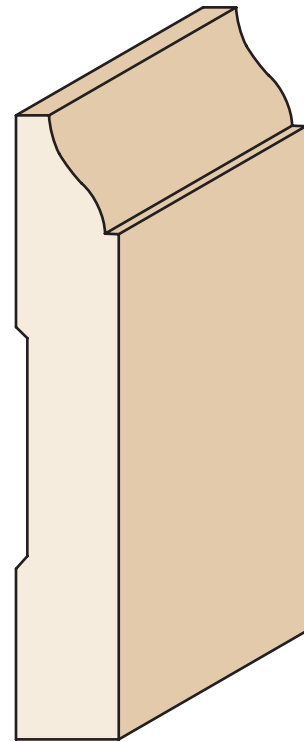
1624-A
 $\frac{1}{2}'' \times \frac{3}{4}''$



PFP 17168-EB
 $\frac{17}{32}'' \times 5\frac{1}{4}'' \times 16'$



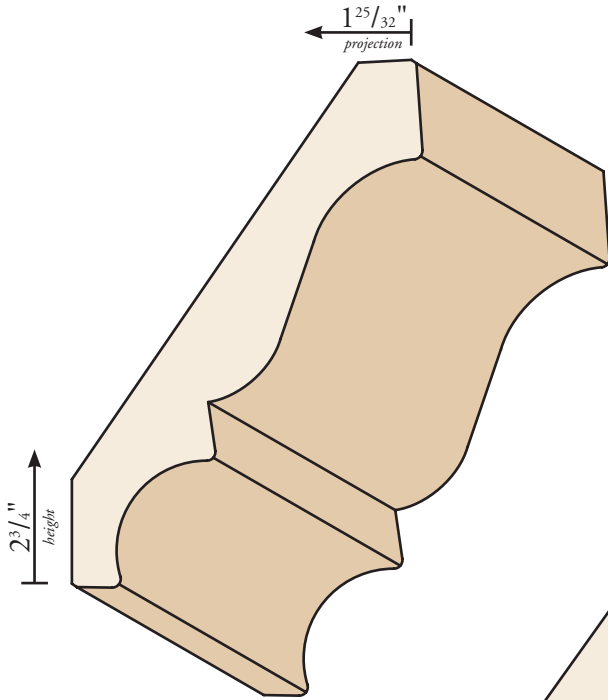
PFP WM663
 $\frac{9}{16}'' \times 3\frac{1}{4}'' \times 16'$



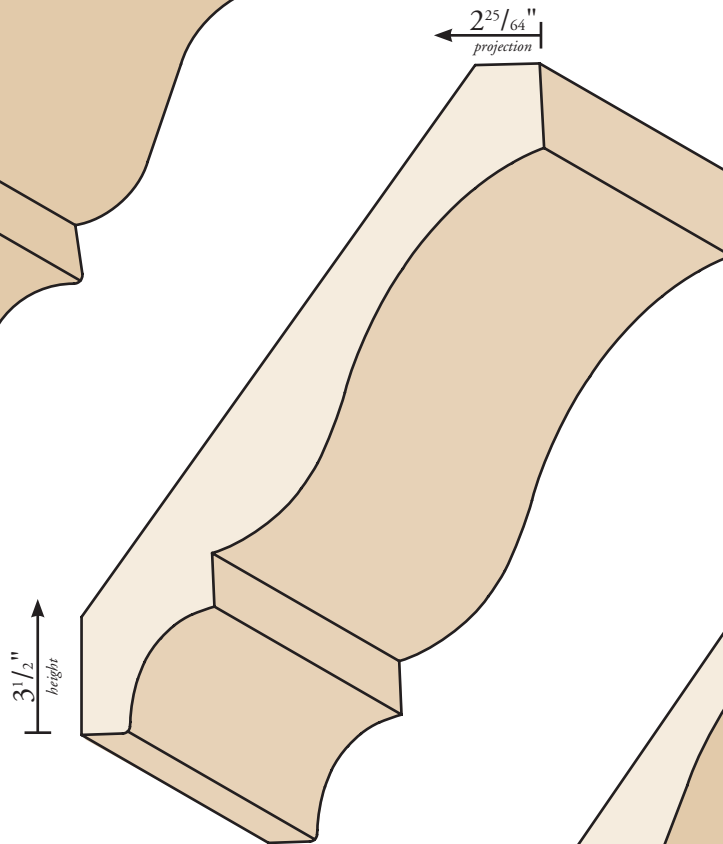
PFP WM623
 $\frac{9}{16}'' \times 3\frac{1}{4}'' \times 16'$

GEDSO-COATED PINE CROWNS

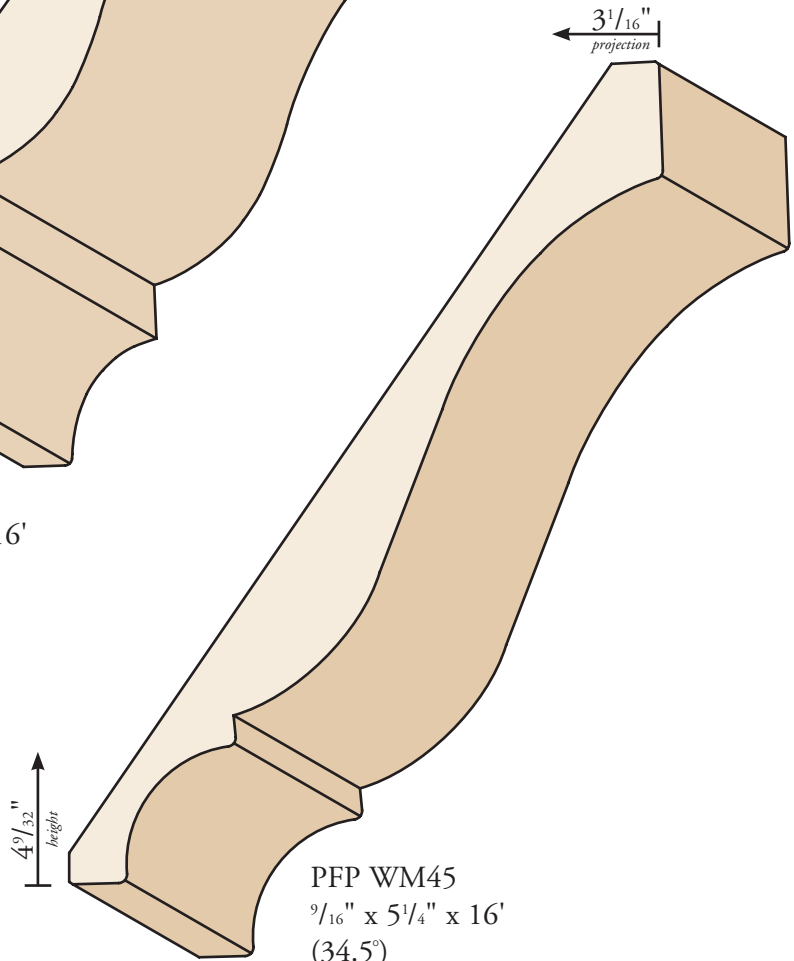
Degree shown on crown mouldings = spring angle



PFP WM51
 $\frac{9}{16}$ " x $3\frac{1}{4}$ " x 16'
 (34.5°)



PFP WM48
 $\frac{9}{16}$ " x $4\frac{1}{4}$ " x 16'
 (35.5°)



PFP WM45
 $\frac{9}{16}$ " x $5\frac{1}{4}$ " x 16'
 (34.5°)

GESO-COATED PINE CROWNS, JAMBS AND STOPS



Degree shown on crown mouldings = spring angle

