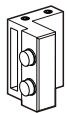
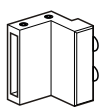
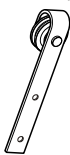



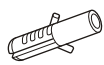
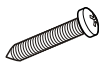
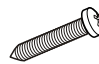

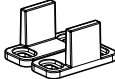
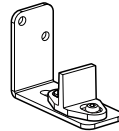



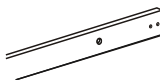




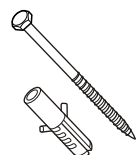

# BDBENTSTRAP 78(3/4) / BDBENTSTRAP 96 INSTALLATION INSTRUCTIONS

## BARN DOOR HARDWARE BENT STRAP KIT

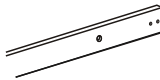






### Parts List

<p>x1 Right Stopper</p> 	<p>x1 Left Stopper</p> 	<p>x2 Bent strap</p> 	<p>x4 Standard M10x55 Bolts for 1 3/8" Thick Door</p> 	<p>x4 Standard M10x60 Bolts for 1 3/4" Thick Door</p> 	<p>x2 Anti-jump Block</p> 	<p>x6 Ø8 Floor Anchor</p> 
<p>x6 (4.2mmx35mm) Floor Screws</p> 	<p>x2 (4.2mmx25mm) Floor Screws</p> 	<p>x1 Internal Floor-Mounted Door Guide</p> 	<p>x1 Optional Floor-Mounted Door Guide</p> 	<p>x1 Optional Wall-Mounted Door Guide</p> 	<p>Allen Key</p> 	

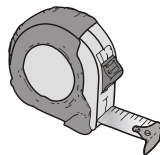

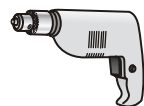



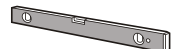
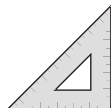
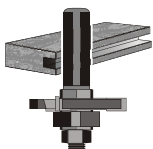
### 78 3/4" Track Components

<p>x1 78 3/4" Track (5 holes)</p> 	<p>x5 Wall Spacer</p> 	<p>x5 Washer</p> 	<p>x5 5/16"(8mmx60mm) Carriage Bolt</p> 	<p>x5 5/16"(8mmx30mm) Anchor (Pre-mounted to Carriage Bolt)</p> 	<p>x5 5/16"(8mmx90mm) Wall Screw</p> 	<p>x4 End cap</p> 
---	--	--	--	--	---	---

### 96" Track Components

<p>x1 96" Track (6 holes)</p> 	<p>x6 Wall Spacer</p> 	<p>x6 Washer</p> 	<p>x6 5/16"(8mmx60mm) Carriage Bolt</p> 	<p>x6 5/16"(8mmx30mm) Anchor (Pre-mounted to Carriage Bolt)</p> 	<p>x6 5/16"(8mmx90mm) Wall Screw</p> 	<p>x4 End cap</p> 
--	---	--	---	--	--	---

### Tools Required

<p>Tape Measure</p> 	<p>Pencil</p> 	<p>Cordless Drill</p> 	<p>Phillips Screwdriver</p> 	<p>Wrench</p> 	<p>Allen Key</p> 	<p>Level</p> 
<p>Speed Square</p> 	<p>1/4" Mortise Router Head Required for Floor-Mounted Door Guide Installation</p> 					

# BDBENTSTRAP 78(3/4) / BDBENTSTRAP 96 INSTALLATION INSTRUCTIONS

## BARN DOOR HARDWARE BENT STRAP KIT

### 1. Bottom Rail Floor Guide Preparation

If the door does not have a pre-cut slot along the bottom rail of the door and you want to install a hidden floor guide, you will have to cut a 1/4" x 3/4" slot along the bottom rail of the door. Secure the door flat on a workbench with the bottom edge of the door accessible. Using the 1/4" router bit in a router tool, cut the slot in the bottom the door. See Figure 1.

There are floor guide options in the hardware kit that do not require a door slot.

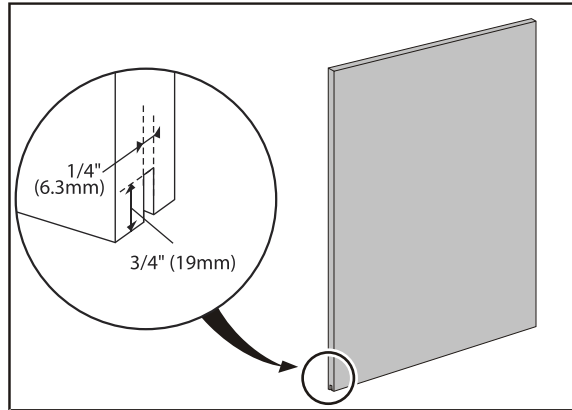


Figure 1

### 2. Door Hanger Installation

The location of the bent strap door hangers should be a minimum of 2" from the edge of the door. You have discretion to locate the door hangers more than 2" in from the edge of the door in the center of the door stiles for example. From the top of the door measure 1-9/16". Measure the first hole and mark it. Use the door hanger as a template to mark the location of the second hole.

See Figure 2.

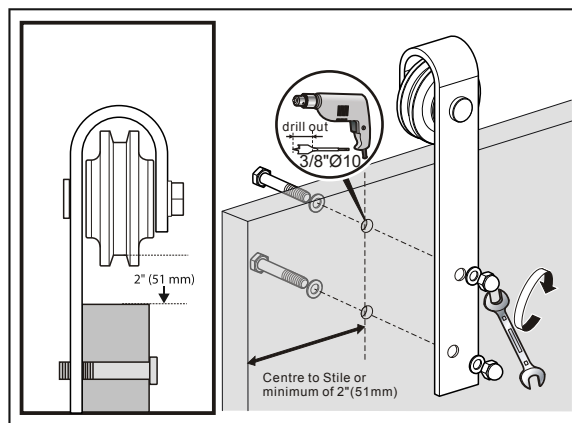


Figure 2

### 3. Anti-Jump Block Installation

Install the two anti-jump blocks at least 1" from the edge of the door hangers.

See Figure 3.

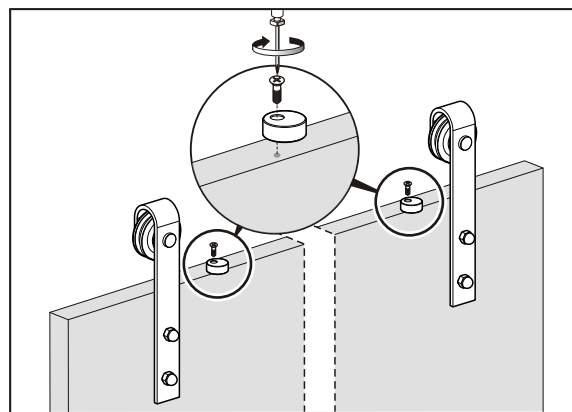


Figure 3

# BDBENTSTRAP 78(3/4) / BDBENTSTRAP 96 INSTALLATION INSTRUCTIONS

## BARN DOOR HARDWARE BENT STRAP KIT

### 4. Installation of Track

The track must be anchored into a concrete wall or into the metal or wood studs of a dry walled wall.

See Figures 4, 5, 6, 7, 8 & 9 for concrete wall installation.

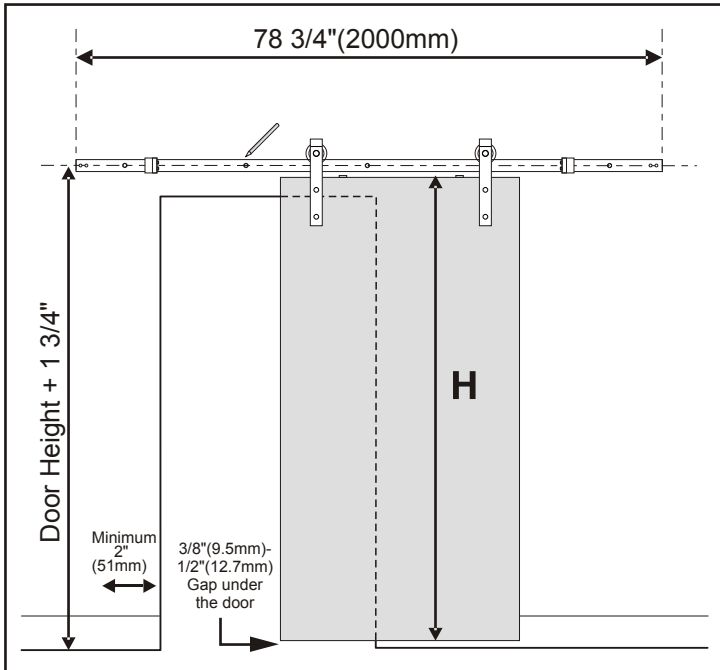


Figure 4

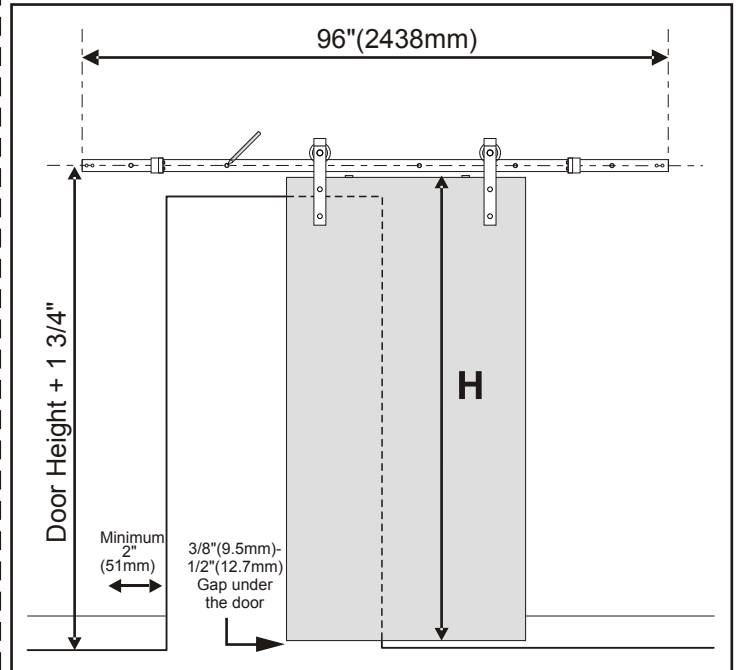


Figure 7

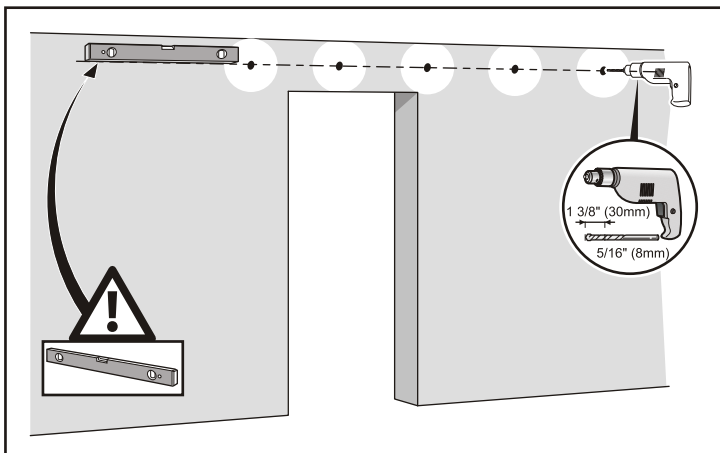


Figure 5

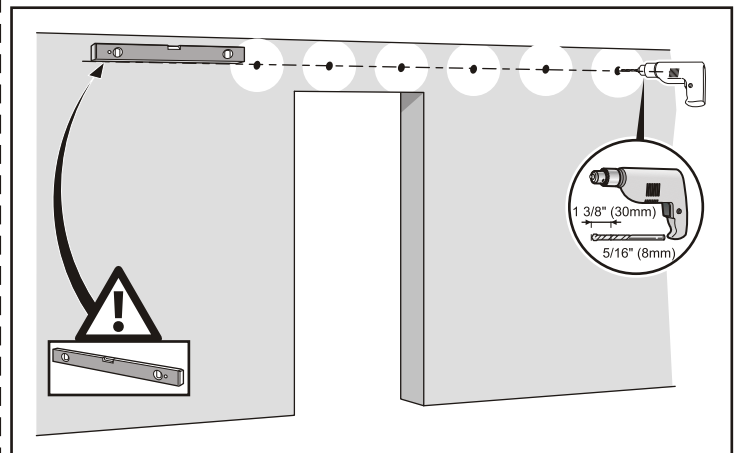


Figure 8

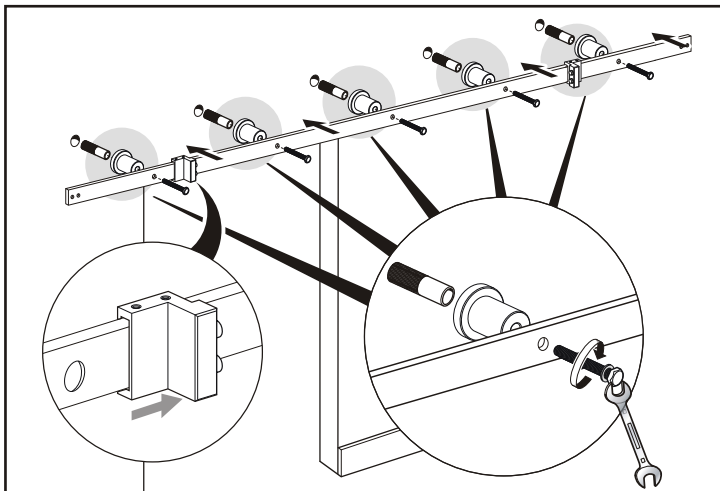


Figure 6

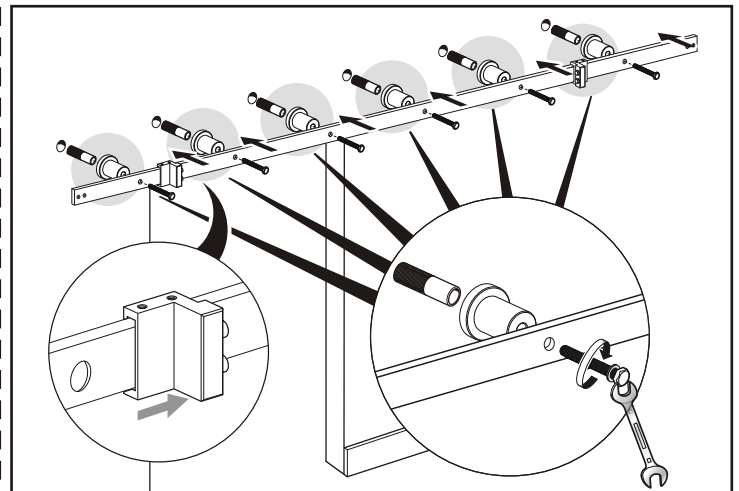


Figure 9

# BDBENTSTRAP 78(3/4) / BDBENTSTRAP 96 INSTALLATION INSTRUCTIONS

## BARN DOOR HARDWARE BENT STRAP KIT

\*For a dry walled wall, you must install a 1" x 6" x 80" header board (sold separately with the barn door) into the wall studs first. The track and hardware are then installed into the header board. Locate the wall studs with a stud finder and mark their location on the wall 1-3/4" higher than the height of the door. Install the center of the header board to the wall studs at this location. Once the header board has been installed, attach the track and wall hardware to the header board.

See Figures 10, 11, 12, 13, 14, & 15.

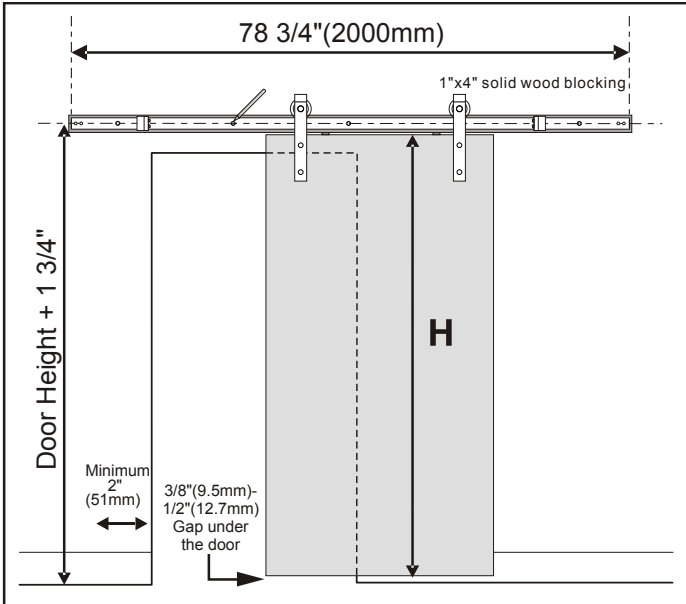


Figure 10

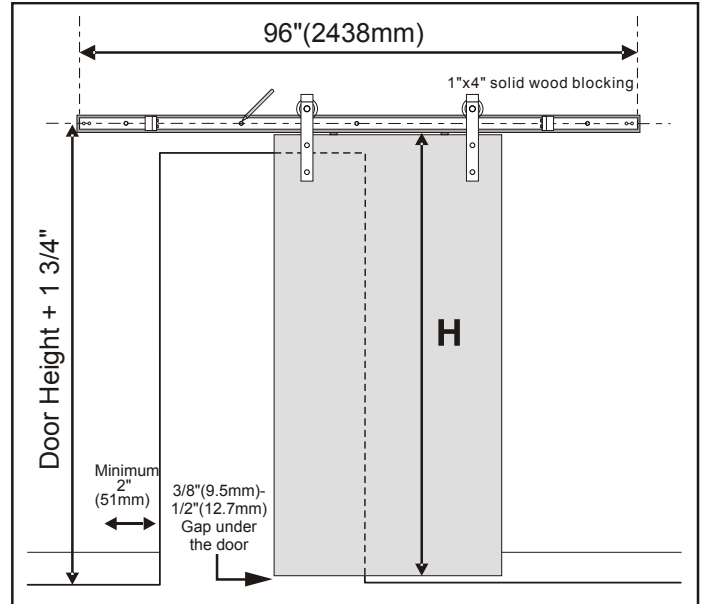


Figure 13

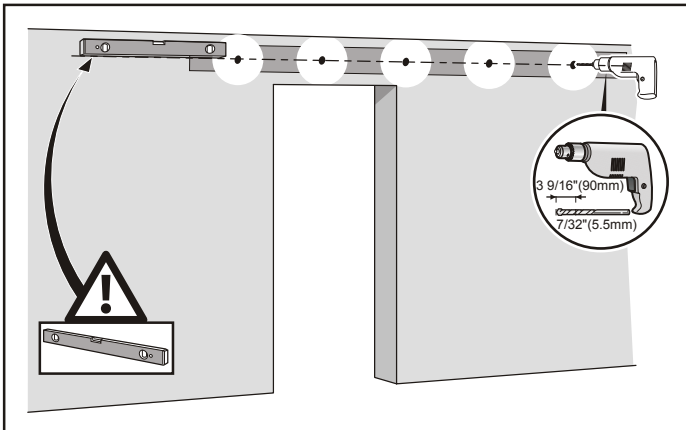


Figure 11

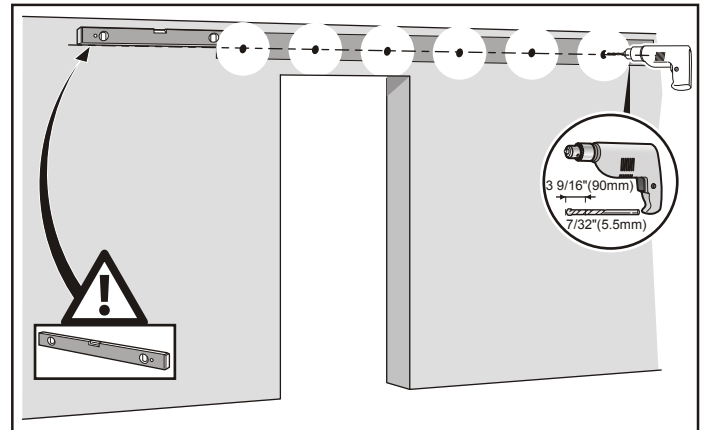


Figure 14

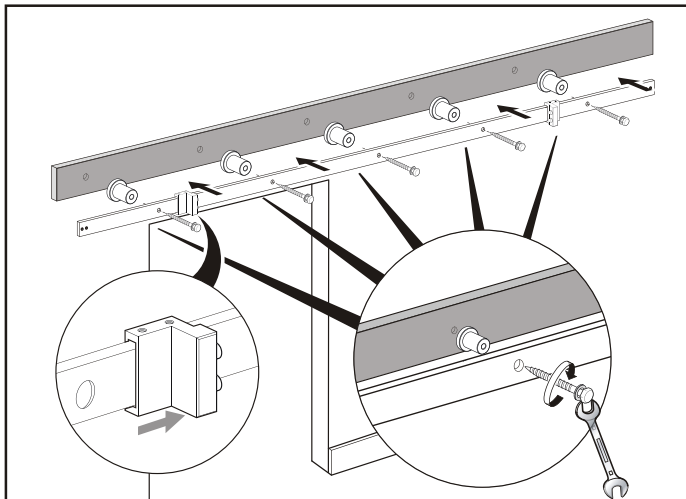


Figure 12

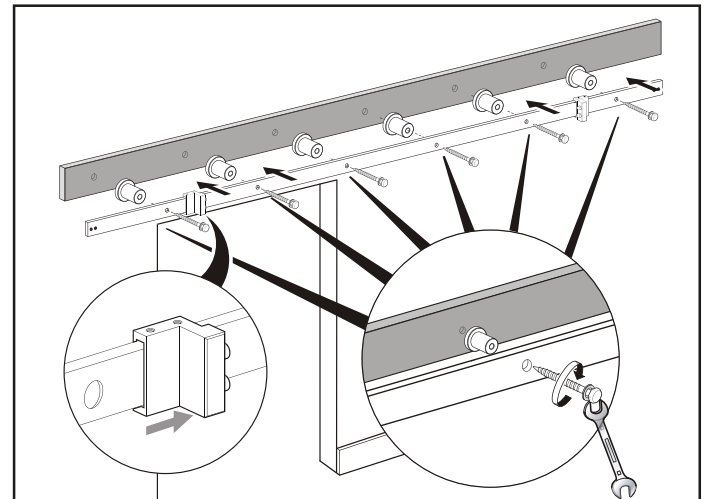


Figure 15

# BDBENTSTRAP 78(3/4) / BDBENTSTRAP 96 INSTALLATION INSTRUCTIONS

## BARN DOOR HARDWARE BENT STRAP KIT

### 5. Hang the Door on to the Track

Two people should install the door safely onto the track. Once the wheels are on the track, turn the anti-jump blocks sideways. Install the doorstops on either end of the track.

See Figures 16.

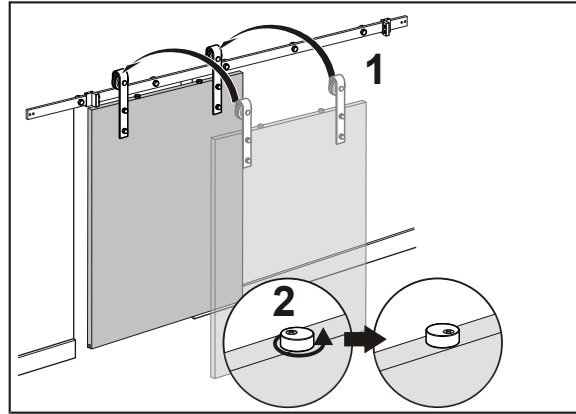


Figure 16

### 6. Install the Floor Guide

Once the door is safely on the track, install the floor guide applicable to your installation.

See Figures 17, 18 & 19.

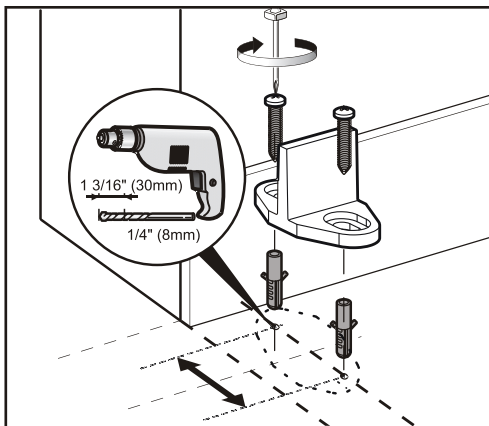


Figure 17

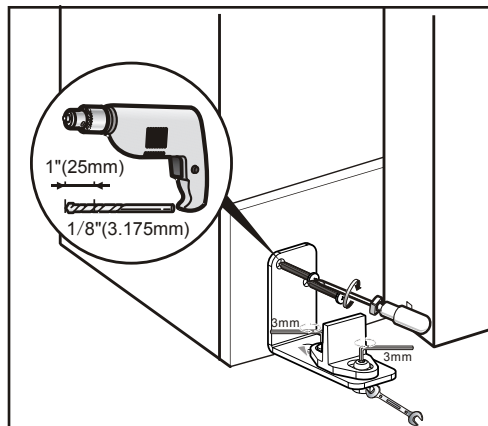


Figure 18

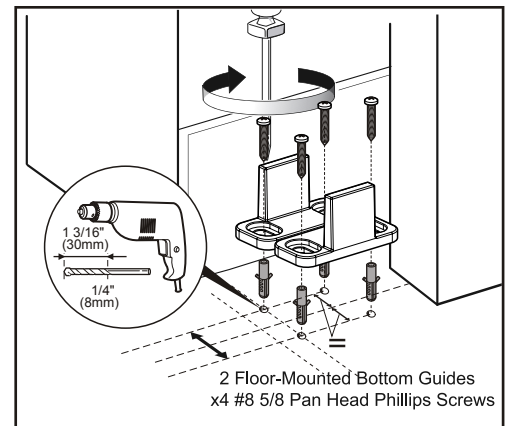


Figure 19

### 7. Stopper Installation

Slide the door closed and to correct position of both stoppers. Using the provided Allen key, tighten into position to complete the installation of the Barn Door Kit.

See Figures 20.

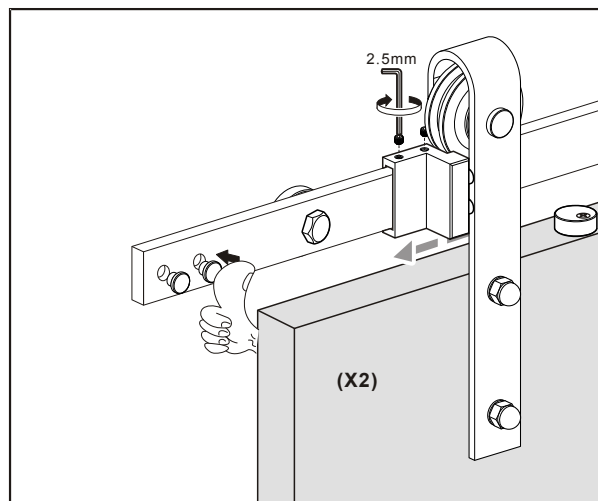


Figure 20